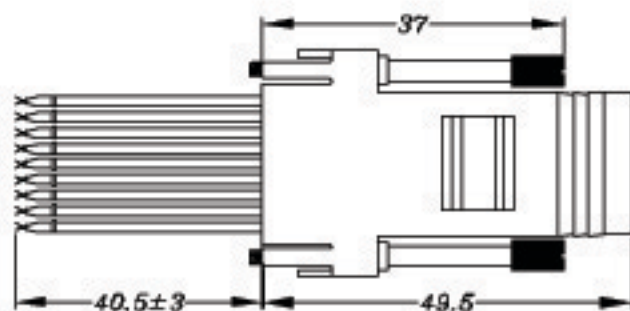
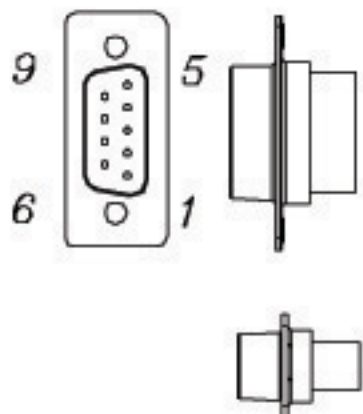


PROJECT :

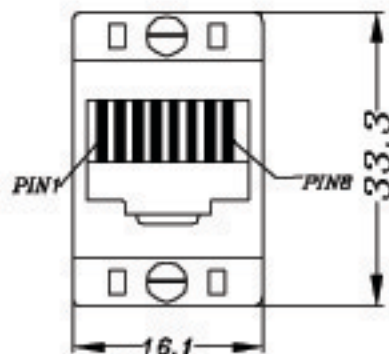
APPROVED :

DATE :

DB9 FEMALE
CRIMP TYPE



RJ45 JACK



PIN ASSIGNMENT

RJ45	DB9F
1	BLUE
2	ORANGE
3	BLACK
4	RED
5	GREEN
6	YELLOW
7	BROWN
8	WHITE

11	WIRE CABLE WHITE	1	90mm		
10	WIRE CABLE BROWN	1	90mm		
9	WIRE CABLE YELLOW	1	90mm		
8	WIRE CABLE GREEN	1	90mm		
7	WIRE CABLE RED	1	90mm		
6	WIRE CABLE BLACK	1	90mm		
5	WIRE CABLE ORANGE	1	90mm		
4	WIRE CABLE BLUE	1	90mm		
3	RJ45 6P8C JACK ADAPTER SCREW COLOR BEIGE	2	PCS		
2	DB9 FEMALE SELECT COLOR PLASTIC BLUE	1	PCS		
1	RJ45 6P8C JACK ADAPTER COLOR BEIGE	1	SET		
NO.	PART NO.	DESCRIPTION	VENDER	QTY	UNIT/REF

ROHS

CONFIDENTIAL

REV	REV./NO.	DESCRIPTION	DATE
		ASSMANN Electronics, Inc.	TITLE: MODULAR JACK DB9F TO RJ45
DESIGN	Danny	2007/05/17	REV A
COMPAR			REV
DIRECTOR			REV
COMPAR			
MANAGER			
APPROVAL			
SL			
		DATE: 2007/05/17	REV: A
		CUR. P./No: AT-23067-R	
		CUR: X013	
		SHEET 1 TO 1	